



COUNTERTOP MICROWAVE OVEN

LMC1543

FEATURES

- 1.5 cu.ft. Oven Capacity
- 1000 Watts of Microwave Output Power
- 1500 Watts Convection Output Power
- Three Way Microwave/Convection Combination Cooking
- Microwave Sensor Touch Functions
- One-Touch Convection Cooking Functions
- Intellowave™ Even Heat System
- Stainless Steel Interior
- Recessed Turntable System
- Built-In Trim Kit Available

COUNTERTOP MICROWAVE OVEN

LMC1543

Intellowave™ Even Heat System

Food is more evenly heated with less hot and cold spots! This exclusive technology utilizes two specially designed ports within the microwave cavity to emit microwave energy in a continuous circular fashion. Grooves on the back of the cavity help scatter the microwaves along the turntable, creating a three dimensional pattern which helps cook food more evenly.



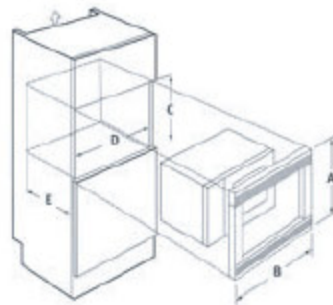
Sensor Cook Technology: One Touch automatic cooking with better results!

As food is cooking, a sophisticated steam sensing device automatically adjusts power levels and cooking time. Upon sensing that food is fully cooked, the microwave shuts off, preventing over or under cooking. With this one-touch convenience feature, food is automatically cooked without having to input quantities or cooking times.



Built-In Microwave Oven Trim Kits

Ideal for kitchens with limited counter space, LG provides optional trim kits which allow installation of this countertop microwave oven into any wall cavity, giving it a clean, custom, built-in look.



CAPACITY

Oven Cavity (cu.ft) 1.5

FEATURES

Output Power : Microwave 1000W, Convection Heater: 1500W
Cavity Design Stainless Steel
Display 2 Line Scroll VFD Display
Available Colours Stainless Steel

COOKING FEATURES

Sensor Touch Functions 3 (Sensor Cook, Sensor Reheat, Sensor Popcorn)
Convection Cooking Functions Microwave/Convection 3 (Cook, Auto Roast, Auto Bake)
Combination Cooking Functions 2 (Roast, Bake)
Intellowave™ Even Heat System •
Power Levels 10
Ez-Defrost (for 1 lb ground meat only) •
Ez-On •
More/Less •
Custom Set •
Hold/Warm •

CONVENIENCE FEATURES

Recessed Turntable •
Turntable Diameter 12.8" •
Clock/ Kitchen Timer •
Help •

SAFETY

Child lock •

ACCESSORIES

Metal Rack •
Built-In Trim Kits Stainless Steel 27" (CMK1527S),
Stainless Steel 30" (CMK1530S)

DIMENSIONS

Cavity (WxHxD) 15 1/4" x 10 7/8" x 15 1/4"
Exterior (WxHxD) 22 5/8" x 14 7/8" x 20"
Product Weight (lbs.) 53
Shipping Weight (lbs.) 60

UPS CODES

LMC 1543 772454013836

WARRANTY INFORMATION 1 year full warranty on parts and labour. 5 years on magnetron.

MODEL	CMK-1930W/B/S	CMK-1927W/B/S	CMK-1530W/B/S	CMK-1527W/S	CMK-1730W/B/S
EXTERIOR B:W	29-25/32"	26-27/32"	29-3/4"	26-3/4"	29-7/8"
A:H	19-1/64"	19-1/64"	20-5/16"	20-5/16"	19-1/8"
INTERIOR W	24"	24"	22-5/8"	22-5/8"	22-3/4"
H	12-7/8"	12-7/8"	14-7/8"	14-7/8"	12-15/16"
CUTOUT D:W	28-1/2"(max) 25-1/2"(min)	25-1/2"	28-1/2"(max) 25-1/2"(min)	25-1/2"	28-1/2"(max) 25-1/2"(min)
C:H	16-3/4"	16-3/4"	17-3/4"	17-3/4"	16-3/4"
E:D	21" plug is flush mounted		21-1/2" plug is flush mounted		21" plug is flush mounted
	22-3/4" plug is NOT flush mounted		22-3/4" plug is NOT flush mounted		22-3/4" plug is NOT flush mounted



LG Electronics Canada Inc.
550 Matheson Blvd. E. Mississauga, Ontario L4Z 4G3, Canada
Tel: 905-568-6800 Fax 905-507-9649 www.lg.ca
Call Toll-free for Customer Parts & Service
1-888-LG-Canada www.lgeservice.com/techsup.html

All trademarks are property of their respective owners.
Design and specifications are subject to change without notice.
Printed January 2008